

FAZE Series Component Sets

FC6

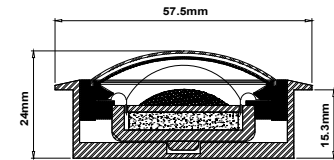
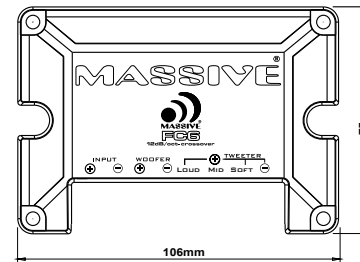
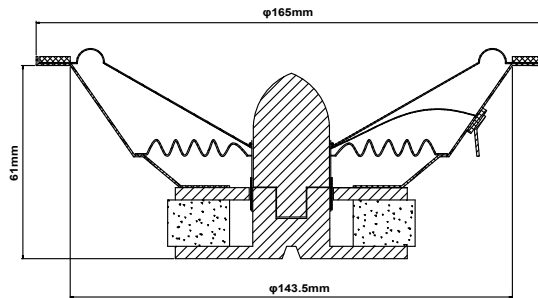
General Features:

- * Heavy Gauge Steel Powder Coated Basket With MASSIVE Punched Logo
- * High-Energy Y30 Magnets Assures Sufficient Magnet Force Needed For High Sensitivity And Accurate Sound Reproduction
- * Two Piece Custom Paintable Metal Grills
- * Woven Fibre Paper Cone With Butyl Rubber Surround
- * High Quality Cloth Spider With Polyester Fibre
- * 1" High Temperature KSV Voice Coil
- * 25mm Silk Diaphragm Tweeter With Ferro Fluid Cooled V.C.
- * Custom Competition Grade 12 dB Crossover With MASSIVE Logo (Kit)

Specifications:

Model	FC6
Woofers Size	6.5"
Tweeter Size	25mm
Frequency Range	50-20KHz
SPL@2.83V/1m	93dB
Watts RMS	150W
Maximum Power	300W
Peak Power	600W
Impedance	4OHM
Frame Diamter	6.5"
Mounting Depth	2.4"
Mounting Diameter	5.65"

FC6



600
PEAK WATTS



P.O. BOX 252004 LOS ANGELES, CA 90025 U.S.A.
WWW.MASSIVEAUDIO.COM

FAZE Series Component Sets

Specifications:

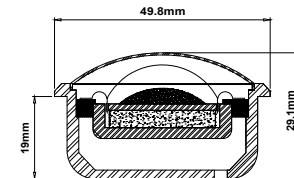
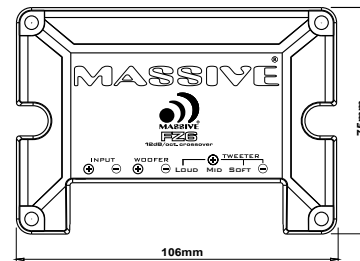
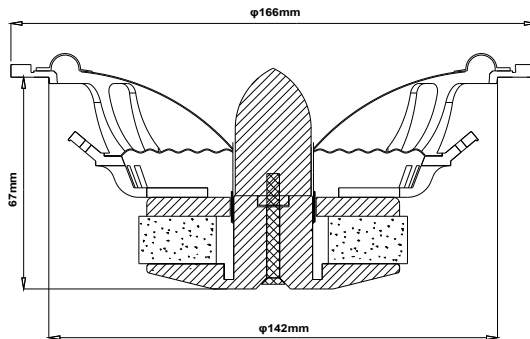
Model	FZ6
Woofer Size	6.5"
Tweeter Size	25mm
Frequency Range	50-20KHz
SPL@2.83V/1m	93dB
Watts RMS	200W
Maximum Power	400W
Peak Power	800W
Impedance	4OHM
Frame Diamter	6.54"
Mounting Depth	2.64"
Mounting Diameter	5.59"

FZ6

General Features:

- * Custom Cast Aluminum Basket With Thick Powder Coating
- * High-Energy Y40 Magnets Assures Sufficient Magnet Force Needed For High Sensivity And Accurate Sound Reproduction
- * Two Piece Custom Paintable Metal Grills
- * Laminated Mica Composite Paper Cone With Butyl Rubber Surround
- * High Quality Nomex Spider
- * 1" High Temperature KSV Voice Coil
- * 25mm Silk Diaphragm Tweeter With Ferro Fluid Cooled V.C.
- * Two Pieces Custom Metal Tweeter Housing
- * Custom Competition Grade 12 dB Crossover With MASSIVE Logo (Kit)

FZ6



800
PEAK WATTS



P.O. BOX 252004 LOS ANGELES, CA 90025 U.S.A.
WWW.MASSIVEAUDIO.COM